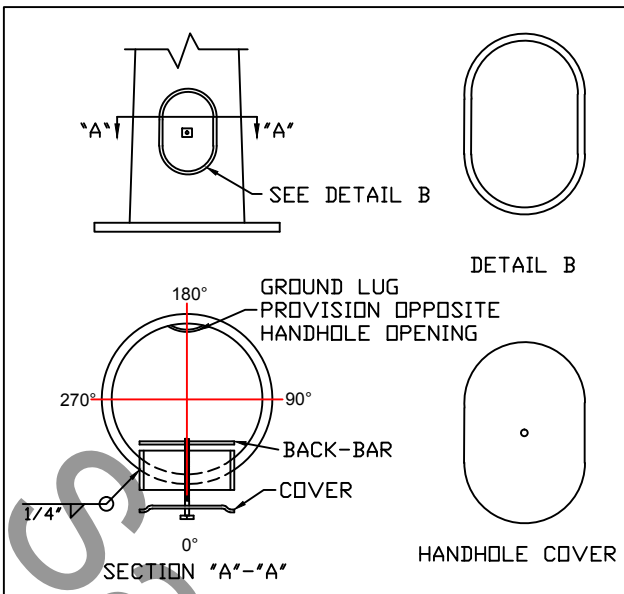
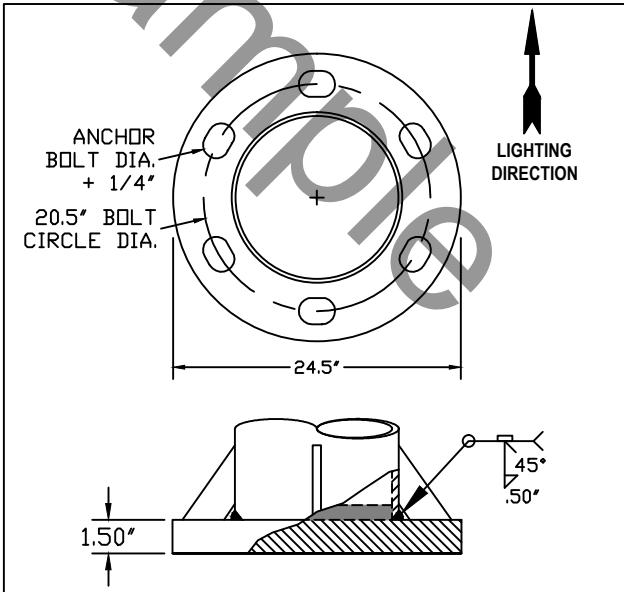


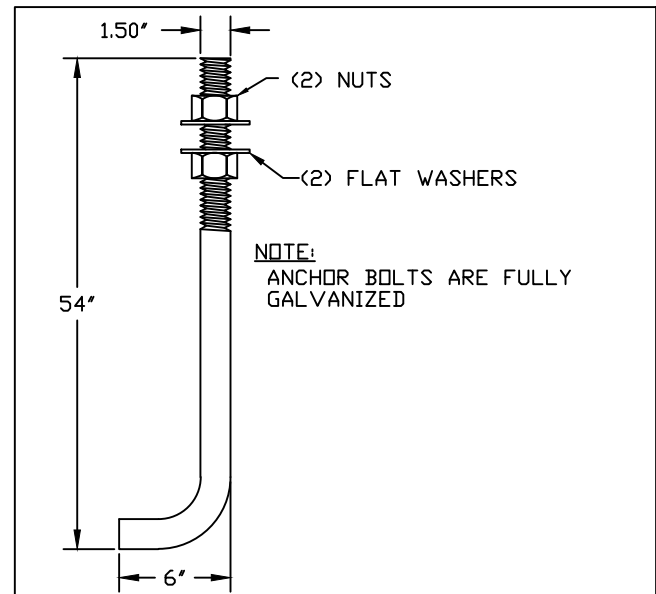
DETAIL POLE ASSEMBLY



DETAIL 3 TYPICAL HANDHOLE



DETAIL 4 BASE PLATE



DETAIL 1 ANCHOR BOLTS

COMPONENT	SPECIFICATION
POLE TOP	ASTM A572 GR. 65
POLE BOTTOM	ASTM A572 GR. 65
MISC. STEEL	ASTM A36
ANCHOR BOLTS	ASTM F1554 GR. 55
BASE PLATE	ASTM A572 GR. 50

GENERAL NOTES:

1. ALL HARDWARE TO BE GALVANIZED TO ASTM A153.
2. POLE ASSEMBLY TO BE GALVANIZED TO ASTM A123.
3. ALL WELDING TO CONFORM TO AWS D1.1 MOST RECENT EDITION.
4. DESIGN INCORPORATE GUST FACTOR PER REF CODE.
5. REFER TO GENERAL INSTALLATION INSTRUCTIONS PRIOR TO ASSEMBLY.

FINISH:	WIND SPEED:	DESIGN CRITERIA:
<input checked="" type="checkbox"/> GALVANIZED	<input type="checkbox"/> 80 MPH	<input type="checkbox"/> 110 MPH
<input type="checkbox"/> PAINTED	<input checked="" type="checkbox"/> 90 MPH	<input type="checkbox"/> 120 MPH
<input type="checkbox"/> PAINTED & GALV	<input type="checkbox"/> 100 MPH	<input type="checkbox"/> 105 MPH

DETAIL 2 MATERIAL SPECIFICATIONS



15303 Storm Dr.
Austin, TX 78734
P: (800)500-3161
F: (512)977-8882

DATE:	REV.: 00	JOB NO. N/A	SCALE: NTS
DRAWING NUMBER: TSL80M2AB		DRAWN BY:	QUOTE NUMBER:

TECHLINE SPORTS LIGHTING
TSL80M2AB