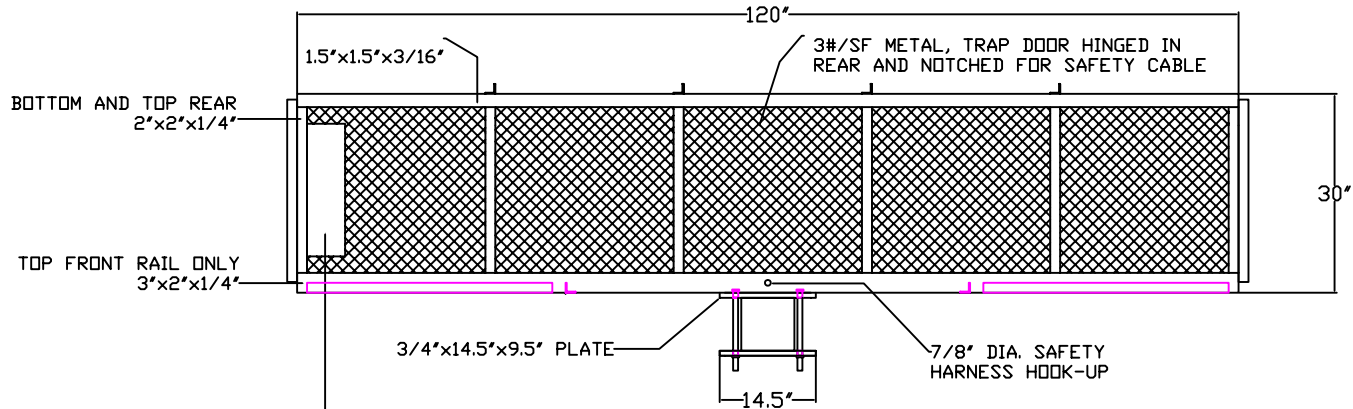
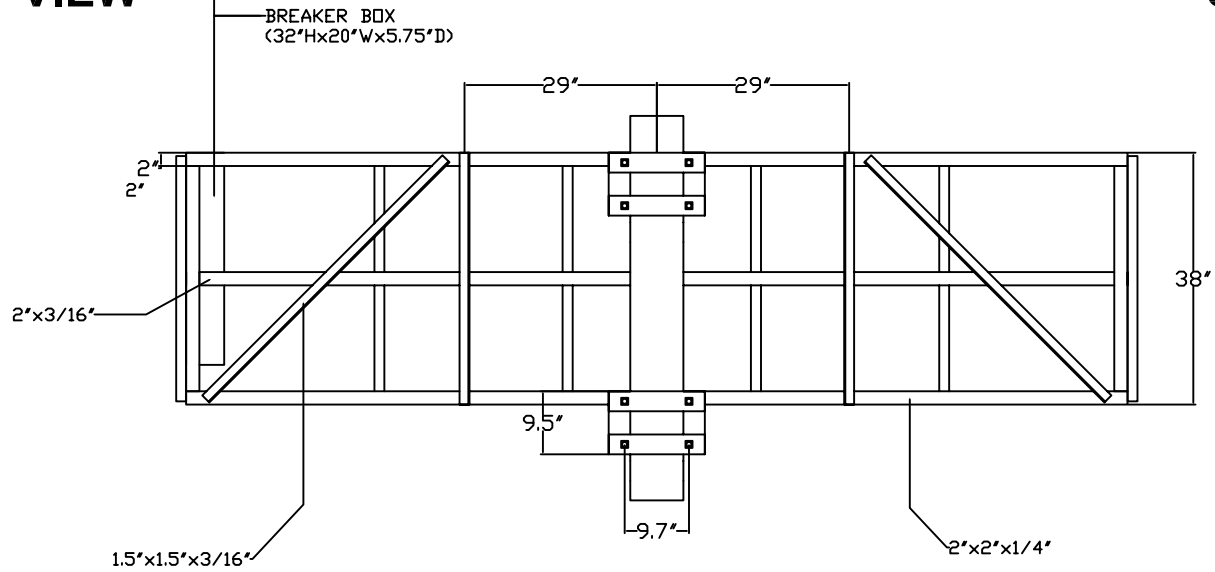


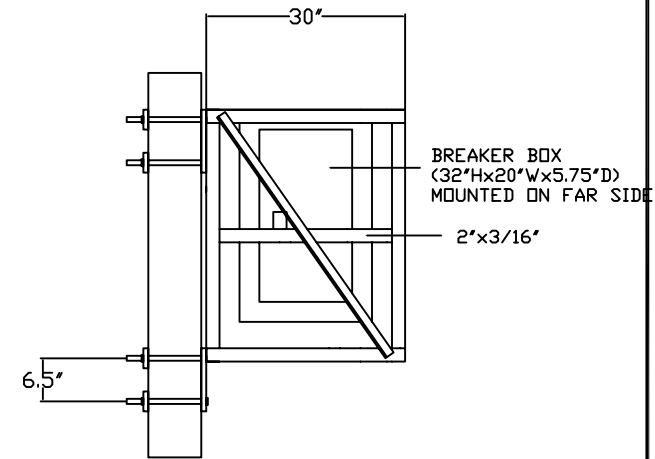
# TOP VIEW



# FRONT VIEW



# SIDE VIEW



9609 BECK CIRCLE  
 AUSTIN, TX 78758-5401  
 PHONE: (512) 977-8880  
 TOLL FREE: (800) 500-3161  
 FAX: (512) 977-8882

DATE: 02-14-03	REV.:	CHECKED BY:
DRAWING NUMBER: CAGE-SIDE	DRAWN BY: WRW	

SIDE MOUNT CAGE