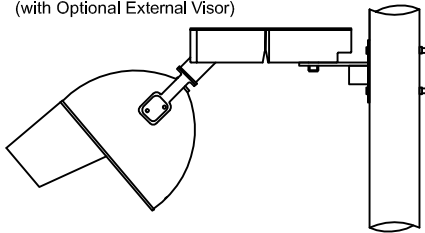
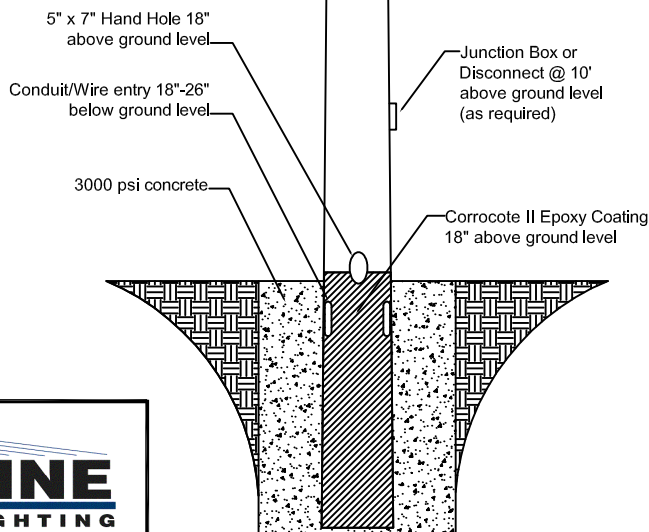


Crossarm configuration
as per application

Integral Ballast
(with Optional External Visor)



Mounting Height	60'
Overall Length	70'
Length A.G.L.	62'
Burial Depth	8' - 6"
Tip Diameter	6"
Butt Diameter	17.69"
Pole Shape	Round Tapered



** Hot-Dipped galvanized
after fabrication to
ASTM A123 specifications

** NOT TO SCALE



15303 STORM DR.
AUSTIN, TX 78734
PHONE: (512) 977-8880
TOLL FREE: (800) 500-3161
FAX: (512) 977-8882

DATE:
02-14-03

REV.:
X

CHECKED BY:

DRAWING NUMBER:
TSL 60-70-FIX

DRAWN BY:
WW

CONCRETE ENCASED
GALVANIZED STEEL POLE