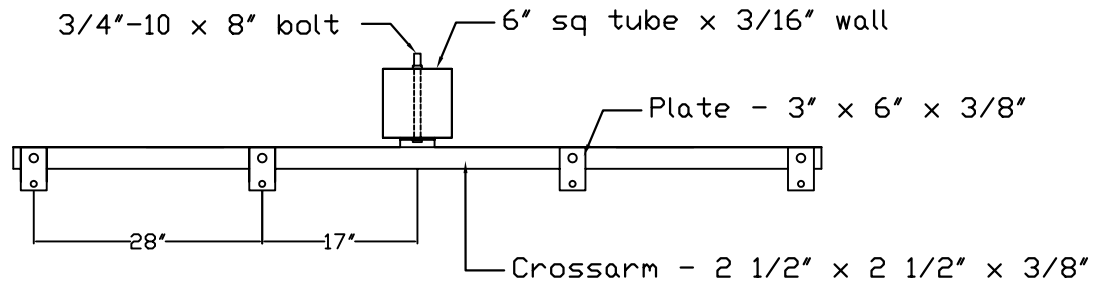
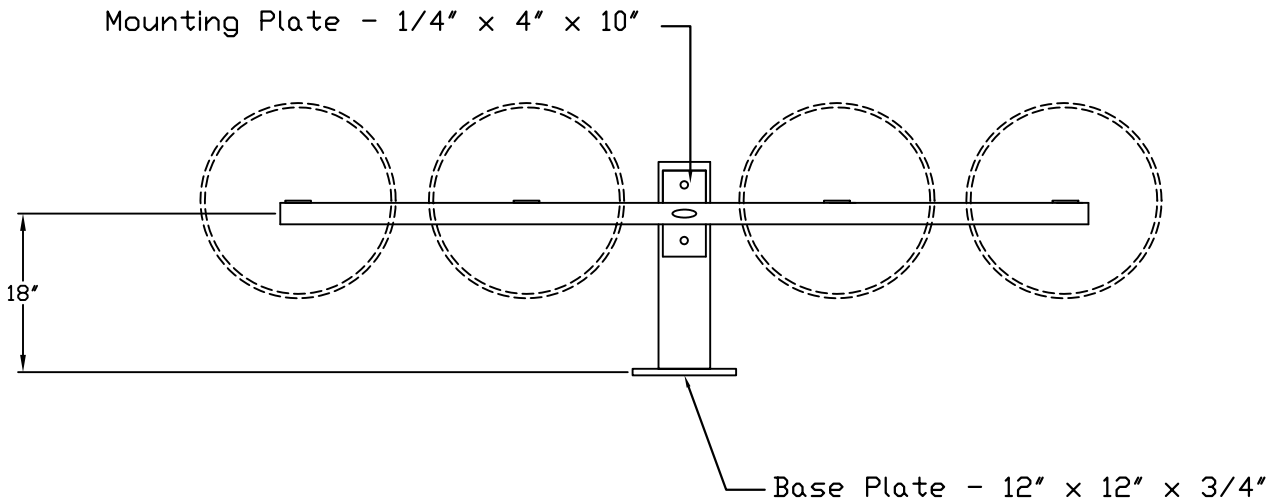


TOP VIEW



ASSEMBLY VIEW



** Hot-Dipped galvanized
after fabrication to
ASTM A123 specifications

** NOT TO SCALE



9609 BECK CIRCLE
AUSTIN, TX 78758-5401
PHONE: (512) 977-8880
TOLL FREE: (800) 500-3161
FAX: (512) 977-8882

DATE:
2-27-03

REV.: CHECKED BY:

DRAWING NUMBER:
TSA 4 FIX

DRAWN BY:
WRW

4 FIXTURE CROSSARM
ASSEMBLY