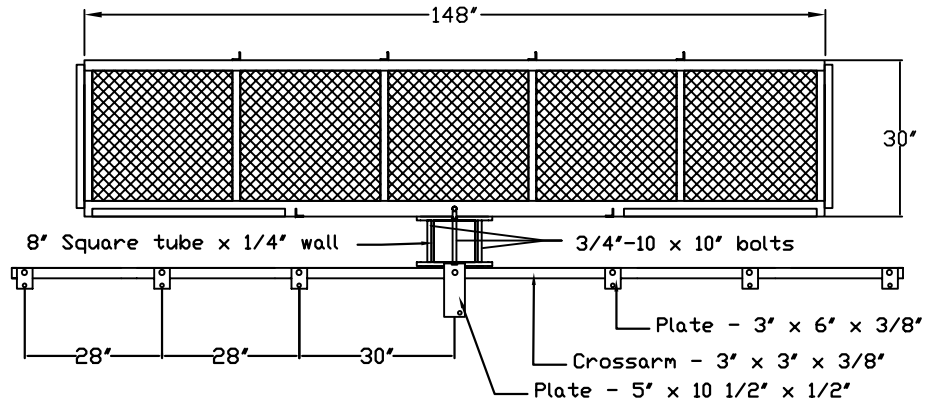
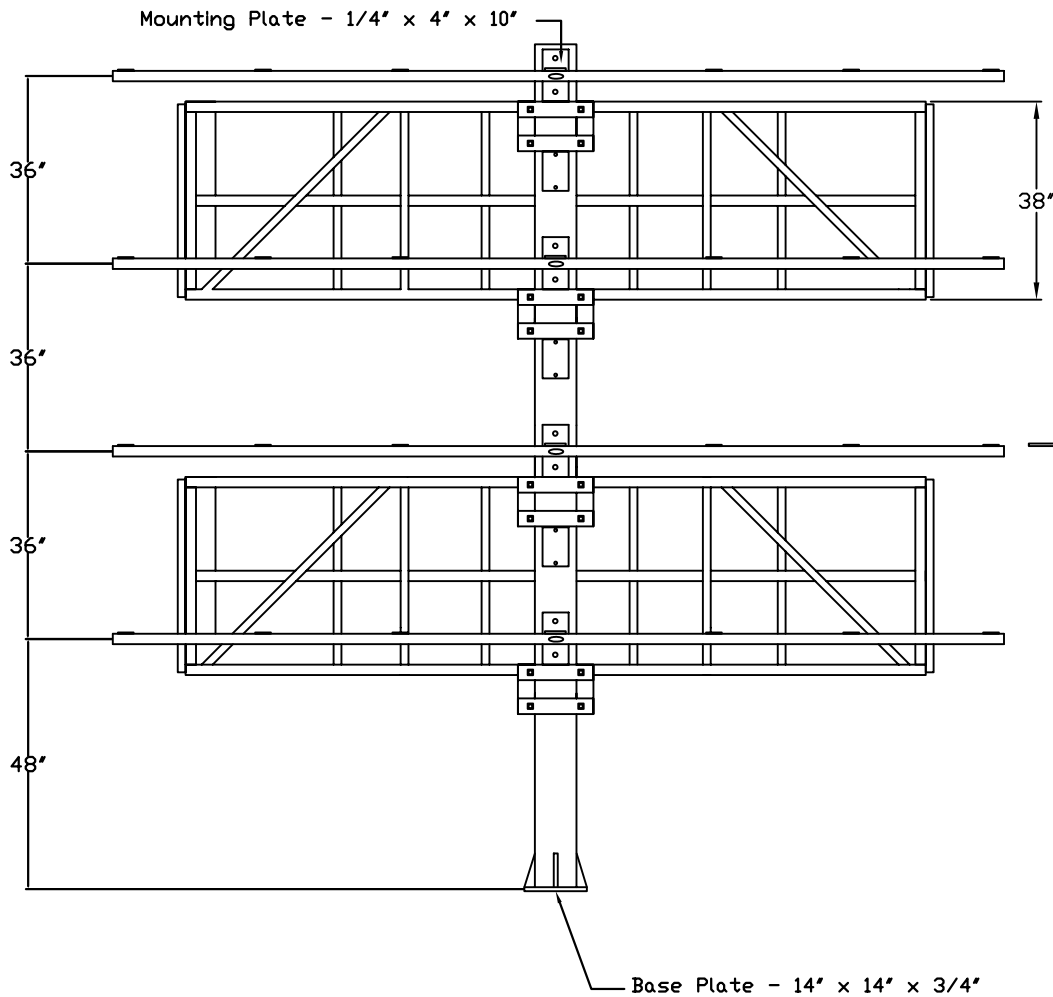


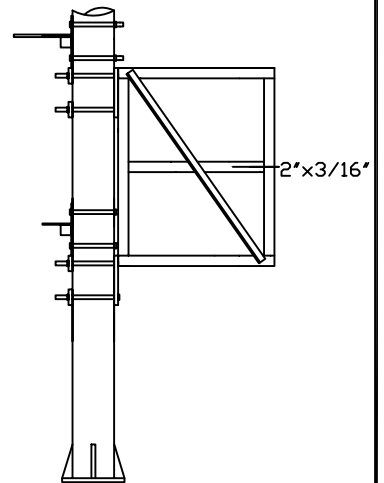
TOP VIEW



FRONT VIEW



SIDE VIEW



9609 BECK CIRCLE
 AUSTIN, TX 78758-5401
 PHONE: (512) 977-8880
 TOLL FREE: (800) 500-3161
 FAX: (512) 977-8882

DATE: 12-12-03	REV.:	CHECKED BY:
DRAWING NUMBER: TQA 28 FIX/CAGE	DRAWN BY: WRW	

** Hot-Dipped galvanized
 after fabrication to
 ASTM A123 specifications

** NOT TO SCALE

28 FIXTURE CROSSARM &
 CAGE ASSEMBLY