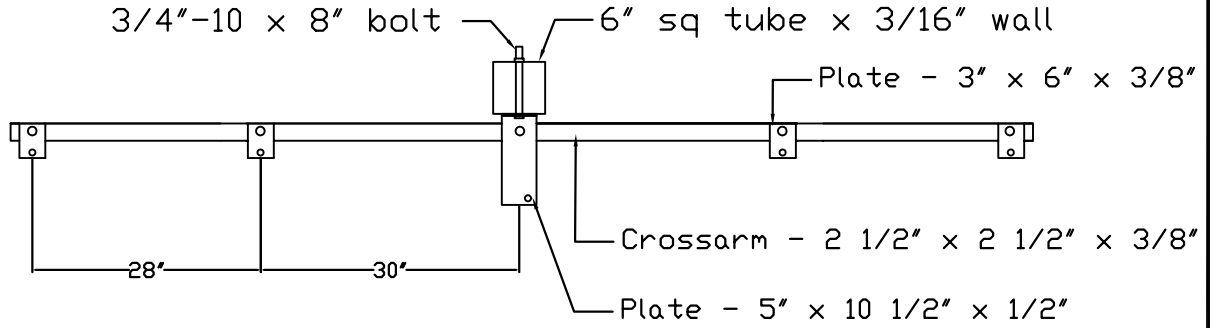
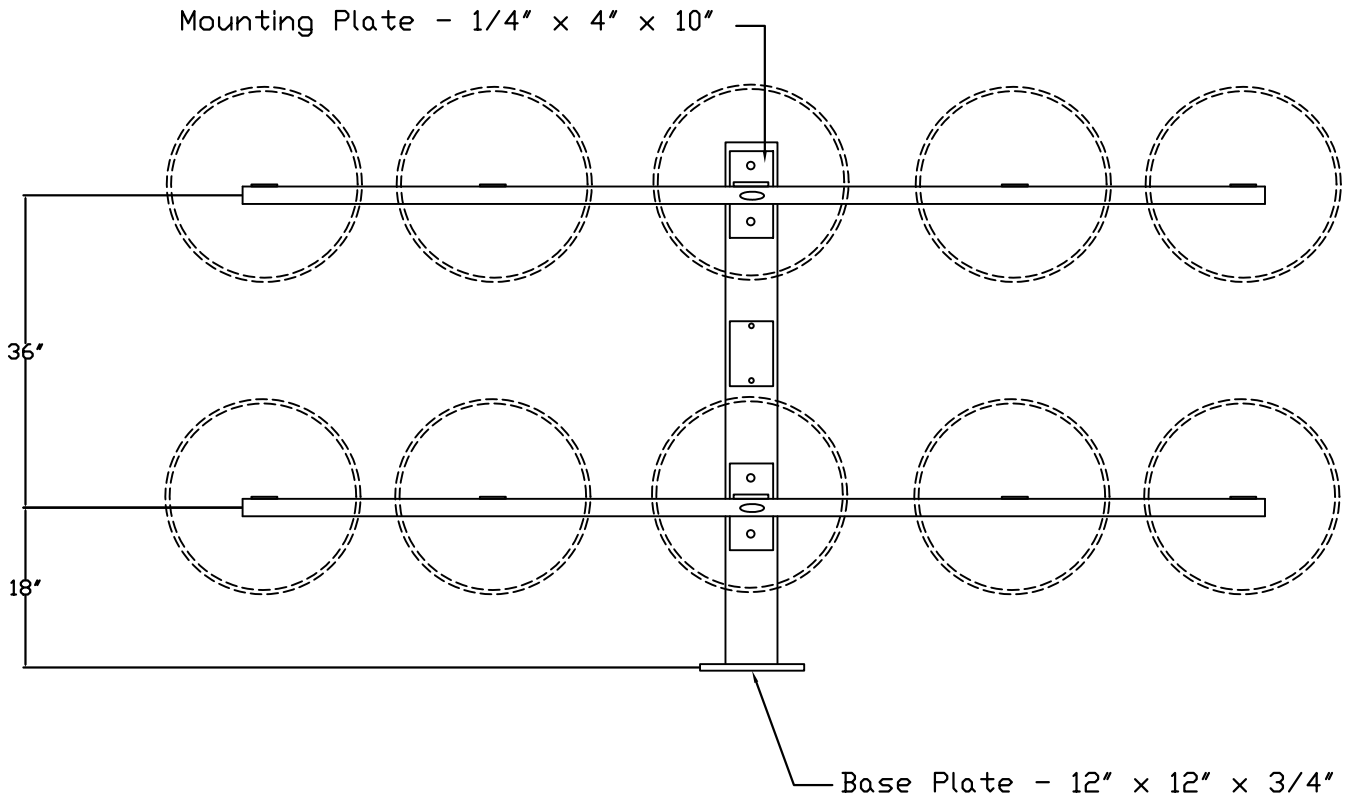


TOP VIEW



FRONT VIEW



** Hot-Dipped galvanized after fabrication to ASTM A123 specifications

** NOT TO SCALE



9609 BECK CIRCLE
 AUSTIN, TX 78758-5401
 PHONE: (512) 977-8880
 TOLL FREE: (800) 500-3161
 FAX: (512) 977-8882

DATE:
4-24-03

REV.:
CHECKED BY:

DRAWING NUMBER:
TDA 10 FIX

DRAWN BY:
WRW

10 FIXTURE CROSSARM
 ASSEMBLY